

# **ROSCOMMON EQUIPMENT CENTER**



**NewsNote # 19  
October, 2015**



## ***Fire Prevention “Tree Game”***

---

**National Association of State Foresters**  
*in Cooperation with*  
**Michigan’s Forest Fire Experiment Station**

---

# REC NewsNote No. 19

## *Fire Prevention "Tree Game"*

### Table of Contents

<b>Disclaimer</b> .....	<b>2</b>
<b>Introduction</b> .....	<b>3</b>
<b>Design</b> .....	<b>4</b>
<b>Appendix A</b> .....	<b>5</b>
<b>Appendix B</b> .....	<b>6-14</b>

Roscommon Equipment Center c/o  
Forest Fire Experiment Station  
1337 East Robinson Lake Road  
P.O. Box 68 Roscommon, Michigan 48653  
Telephone: (989) 275-5211 Fax: (989) 275-8249  
Email: [info@RoscommonEquipmentCenter.org](mailto:info@RoscommonEquipmentCenter.org)  
Web Site: [www.RoscommonEquipmentCenter.org](http://www.RoscommonEquipmentCenter.org)

### Disclaimer

This report has been developed for the guidance of member States, Provinces, Federal Agencies and their cooperators. The National Association of State Foresters and the State of Michigan assume no responsibility for the interpretation or use of this information.

The use of trade, firm or corporation names is for the information and convenience of the user. Such use does not constitute an official evaluation, conclusion, recommendation, endorsement or approval of any product or service to the exclusion of others, which may be suitable.

## Introduction



REC staff in conjunction with the Michigan Department of Natural Resources (MIDNR) have worked together to create an interactive carnival type game to help communicate the message of fire prevention.

The "Tree Game" explained below gives agencies a tool to be able to better explain causes of forest fire to children and give them a chance to learn how forest fires are extinguished by having them actively participate in putting out a mock fire on the Tree Game.

States across the country have invested much time and resources in developing various programs to help educate the public regarding preventable forest fires. The Smokey Bear program is a good example of this type of educational initiative.

## Design

MIDNR approached REC with the intent of developing an apparatus that was easily transportable, setup and operated at indoor or outdoor functions. The apparatus would need to be able to help MIDNR staff interactively engage children and their parents to communicate the message of fire prevention and to teach them in general terms how forest fire is classically fought.

REC created the Tree Game to fulfill this need.

The Tree Game is shaped like a conifer tree and consists of 2 separate panels that when assembled is self standing and presents more of a 3D representation. One of the panels has cutouts of various sizes to house the artificial "flames". The flames are installed such that they will stand upright and are hinged to be able to be knocked over or "extinguished" by a child with either a low pressure water spraying device or a small sandbag (for indoor functions).

\*\* Several drawings used for re-creating the game need to be printed full-scale and will be used as a pattern for fabrication.

Appendix A .....*Photograph of the Tree Game being used*

Appendix B .....*Construction Drawings*

**Appendix A**



# APPENDIX B

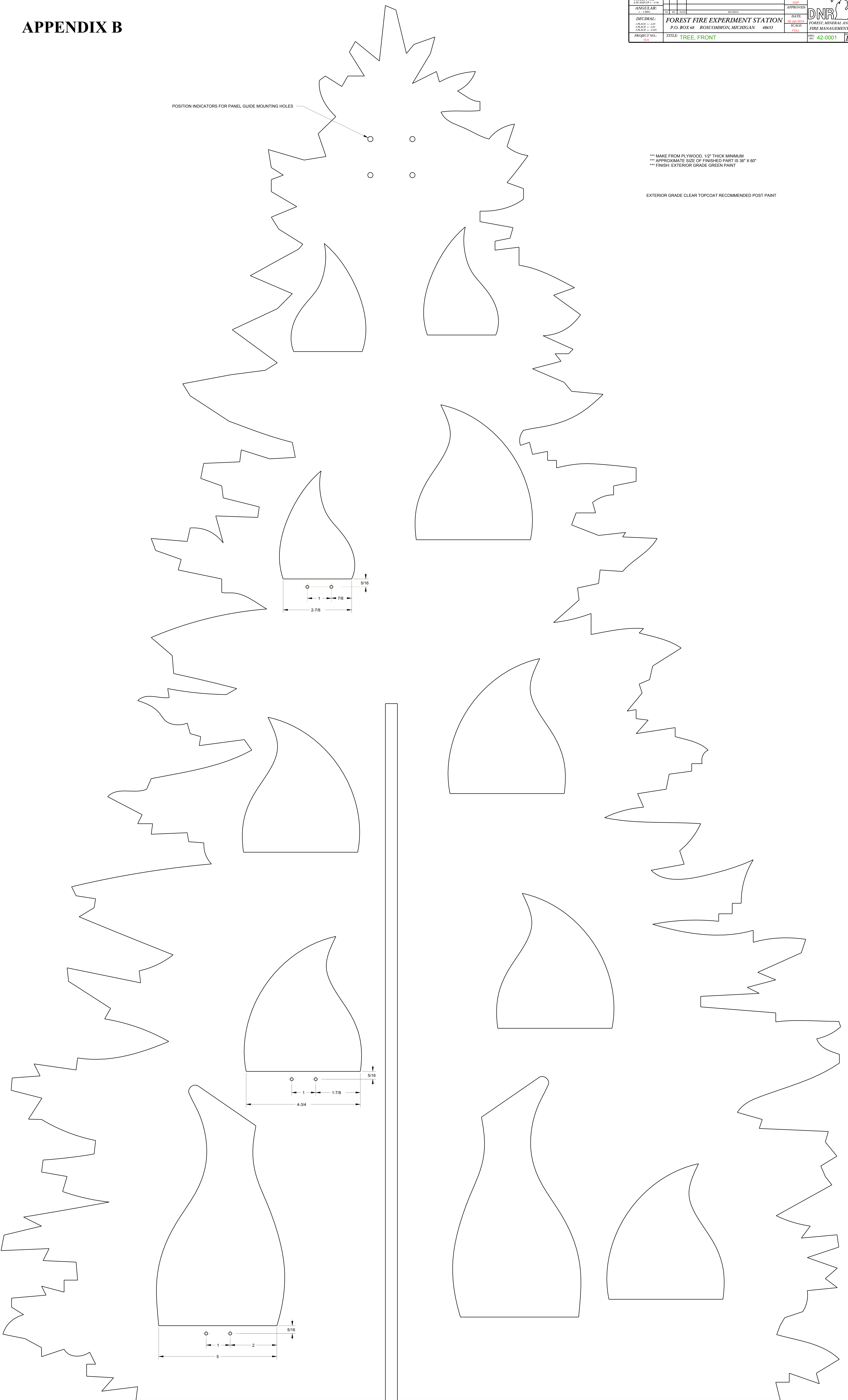
STD. TOL.		DRAWN:	
FRACTIONAL:		DESIGNED:	
DECIMAL:		APPROVED:	
ANGULAR:		DATE:	
		SCALE:	
PROJECT NO.:	TITLE: TREE, FRONT	DWG. NO.:	42-0001



POSITION INDICATORS FOR PANEL GUIDE MOUNTING HOLES

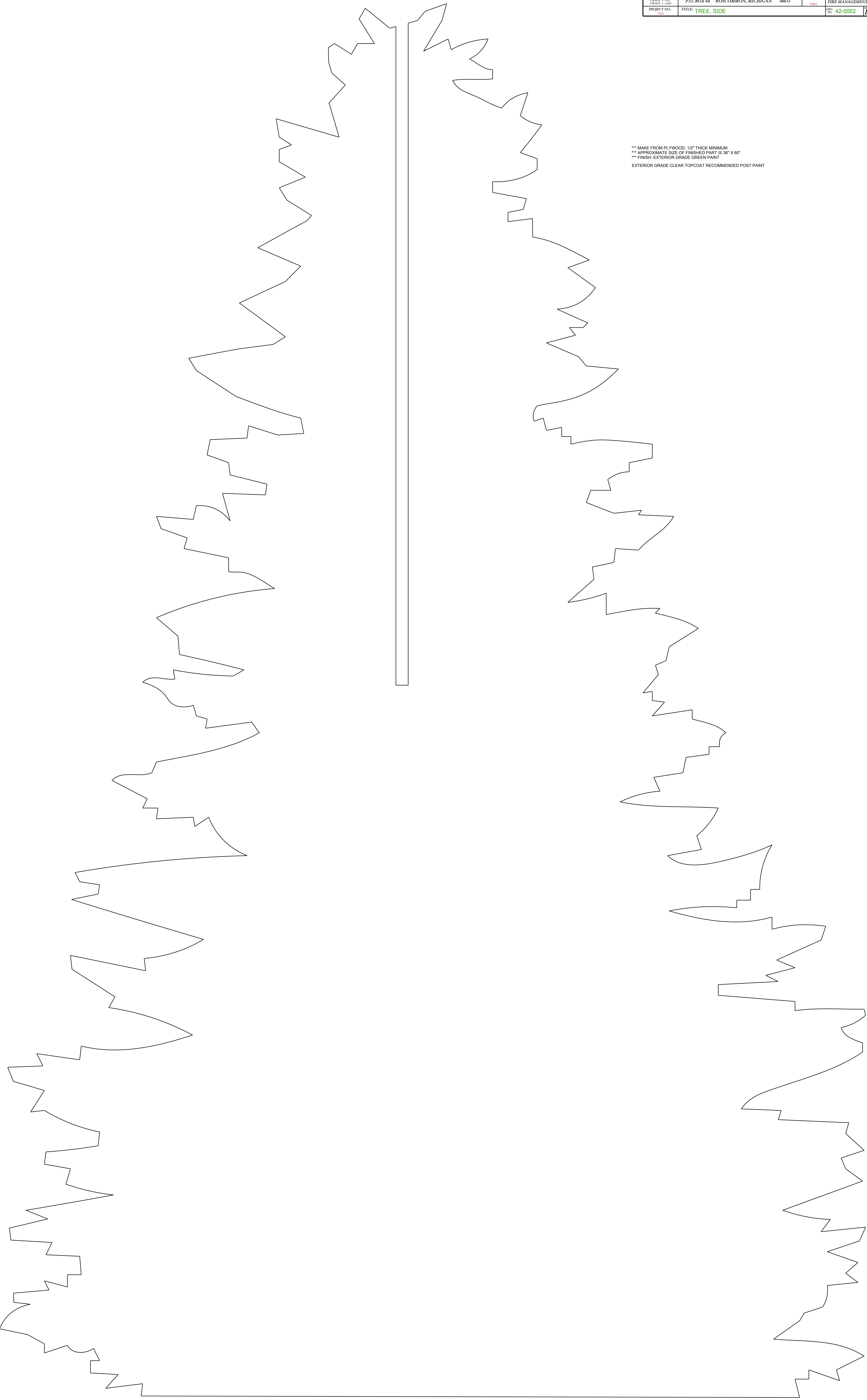
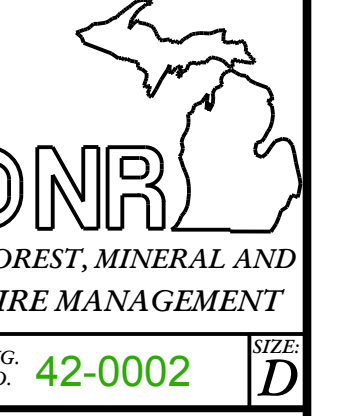
\*\*\* MAKE FROM PLYWOOD, 1/2" THICK MINIMUM  
 \*\*\* APPROXIMATE SIZE OF FINISHED PART IS 36" X 60"  
 \*\*\* FINISH: EXTERIOR GRADE GREEN PAINT

EXTERIOR GRADE CLEAR TOPCOAT RECOMMENDED POST PAINT

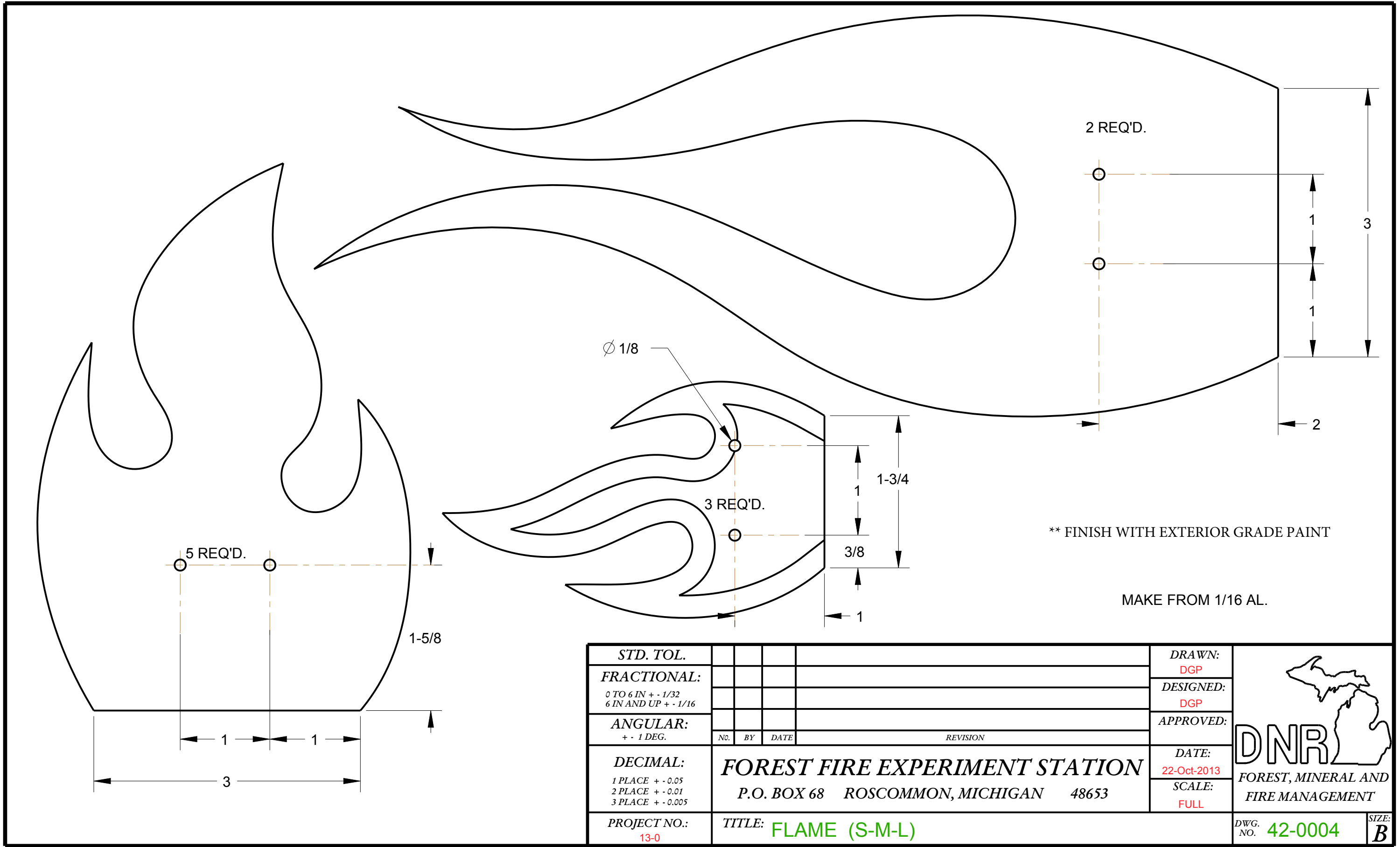



STD. TOL.		DATE:	
FRACTIONAL:		DESIGNED:	
ANGULAR:		APPROVED:	
DECIMAL:		DATE:	
PROJECT NO.:	TITLE: TREE, SIDE	SCALE:	

FOREST FIRE EXPERIMENT STATION  
P.O. BOX 68 ROSCOMMON, MICHIGAN 48653

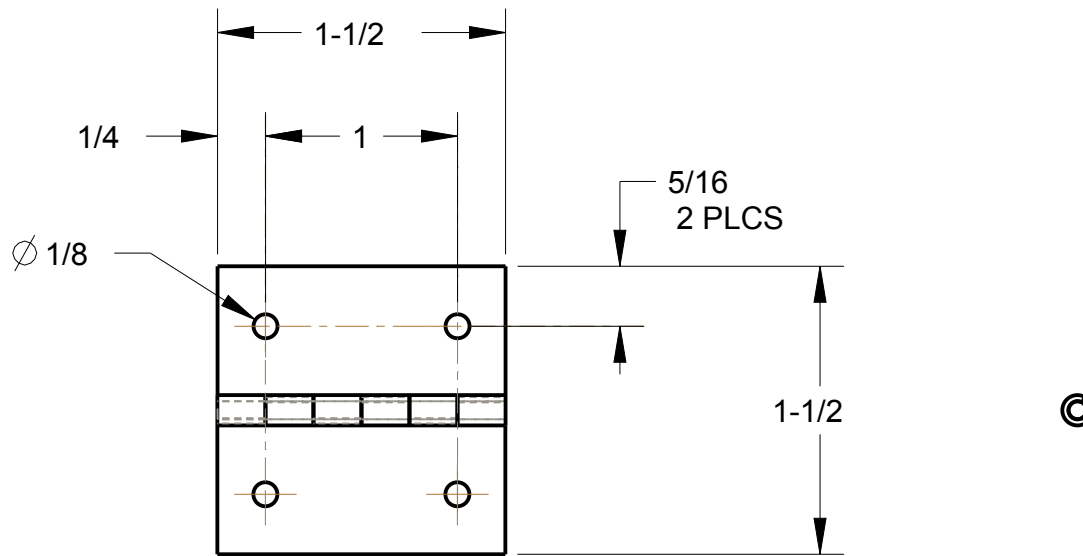


\*\*\* MAKE FROM PLYWOOD, 1/2" THICK MINIMUM  
 \*\*\* APPROXIMATE SIZE OF FINISHED PART IS 36" X 60"  
 \*\*\* FINISH: EXTERIOR GRADE GREEN PAINT  
 EXTERIOR GRADE CLEAR TOPCOAT RECOMMENDED POST PAINT




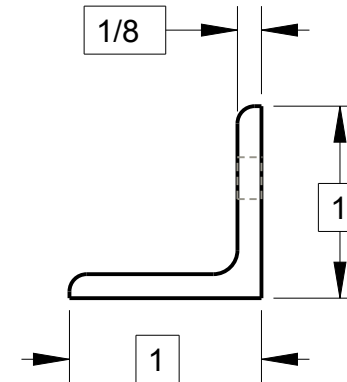
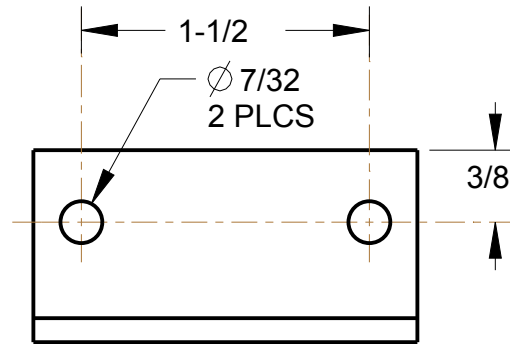
<b>STD. TOL.</b>								<b>DRAWN:</b> DGP	 <b>DNR</b> FOREST, MINERAL AND FIRE MANAGEMENT		
<b>FRACTIONAL:</b> 0 TO 6 IN + - 1/32 6 IN AND UP + - 1/16								<b>DESIGNED:</b> DGP			
<b>ANGULAR:</b> + - 1 DEG.								<b>APPROVED:</b>			
<b>DECIMAL:</b> 1 PLACE + - 0.05 2 PLACE + - 0.01 3 PLACE + - 0.005								<b>DATE:</b> 22-Oct-2013			
<b>PROJECT NO.:</b> 13-0	<b>TITLE:</b> FLAME (S-M-L)								<b>SCALE:</b> FULL	<b>DWG. NO.:</b> 42-0004	<b>SIZE:</b> B






PART NO: 42-0005  
 MAT'L: McMaster Carr Item#: 1581A281  
 EST WT: 0.65 LBS

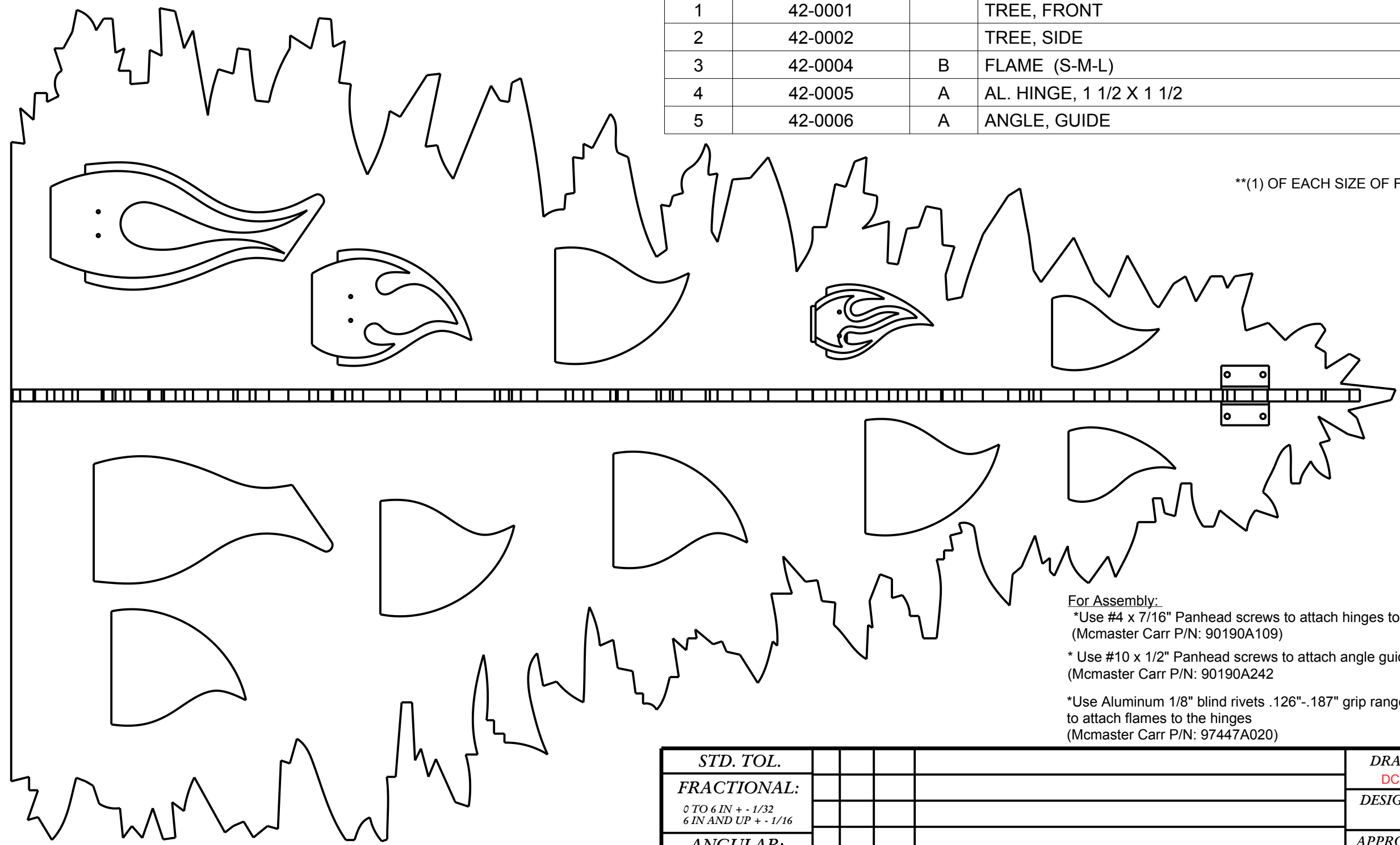
<b>STD. TOL.</b>						<b>DRAWN:</b> dgp	 <b>DNR</b> FOREST, MINERAL AND FIRE MANAGEMENT
<b>FRACTIONAL</b> 0 TO 6 IN + - 1/32 6 IN AND UP + - 1/16						<b>DESIGNED:</b> DGP	
<b>ANGULAR:</b> + - 1 DEG.						<b>APPROVED:</b>	
<b>DECIMAL:</b> 1 PLACE + - 0.05 2 PLACE + - 0.01 3 PLACE + - 0.005	<b>NO.</b>	<b>BY</b>	<b>DATE</b>	<b>REVISION</b>		<b>DATE:</b> 13-Nov-2014	
	<b>FOREST FIRE EXPERIMENT STATION</b> P.O. BOX 68 ROSCOMMON, MICHIGAN 48653					<b>SCALE:</b>	
<b>PROJECT NO.:</b>	<b>TITLE:</b> AL. HINGE, 1 1/2 X 1 1/2					<b>DWG. NO.</b> 42-0005	<b>SIZE:</b> A



PART NO: 42-0006  
 MAT'L: AL. ANGLE, 1 X 1 X 1/8  
 K02600  
 FFES SPEC NO: AK-20606AG  
 EST WT: 0.13 LBS

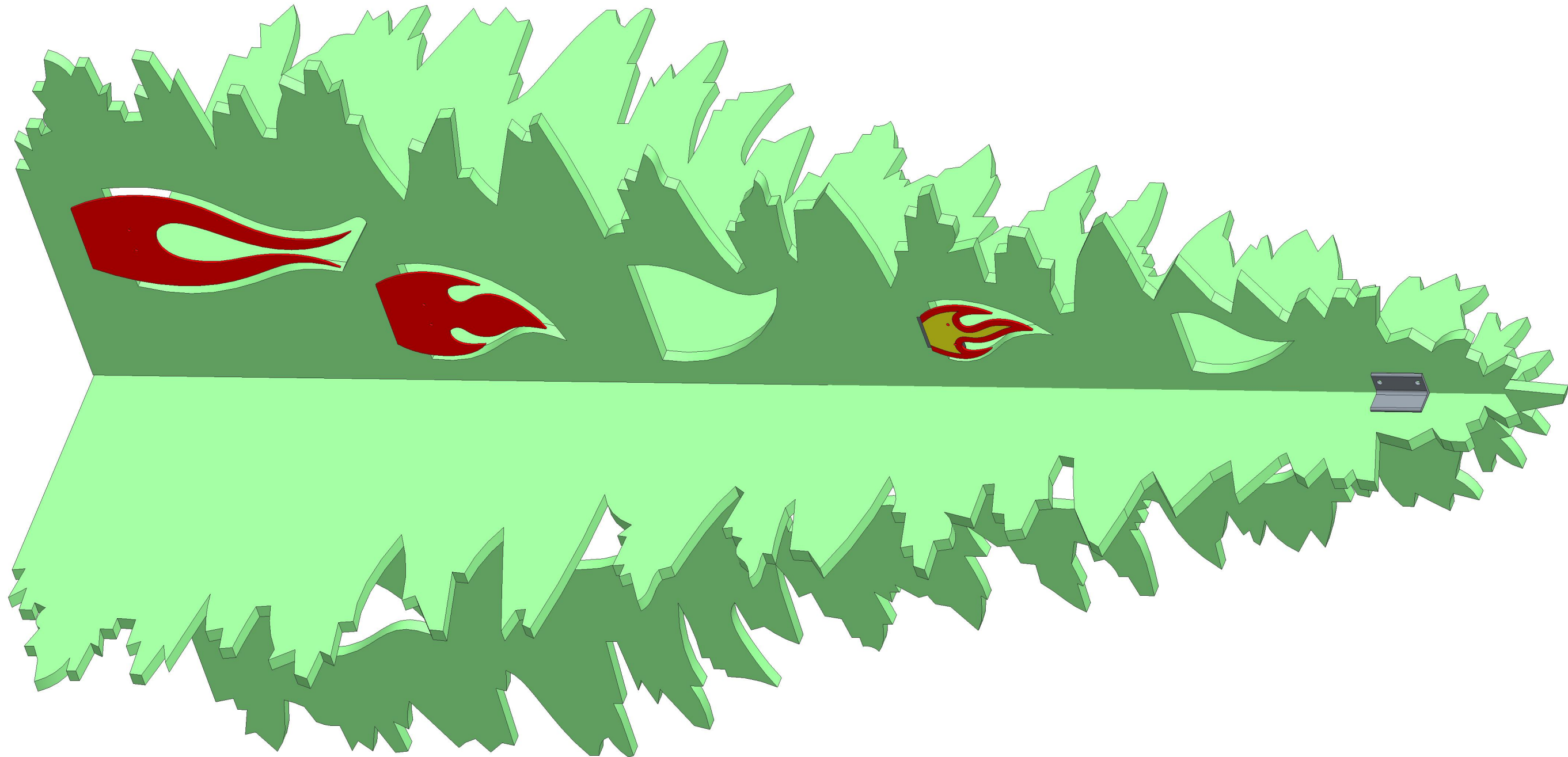
<i>STD. TOL.</i>						<i>DRAWN:</i> DGP	 <b>DNR</b> FOREST, MINERAL AND FIRE MANAGEMENT
<i>FRACTIONAL</i> 0 TO 6 IN + - 1/32 6 IN AND UP + - 1/16						<i>DESIGNED:</i> DGP	
<i>ANGULAR:</i> + - 1 DEG.						<i>APPROVED:</i>	
<i>DECIMAL:</i> 1 PLACE + - 0.05 2 PLACE + - 0.01 3 PLACE + - 0.005	<small>NO.</small>	<small>BY</small>	<small>DATE</small>	<small>REVISION</small>		<i>DATE:</i> 22-Oct-2015	
	<b>FOREST FIRE EXPERIMENT STATION</b> P.O. BOX 68 ROSCOMMON, MICHIGAN 48653					<i>SCALE:</i> FULL	
<i>PROJECT NO.:</i>	<i>TITLE:</i> ANGLE, GUIDE					<i>DWG. NO.</i> 42-0006	<i>SIZE:</i> A


ITEM	PART NO.	DWG	DESCRIPTION	QTY
1	42-0001		TREE, FRONT	1
2	42-0002		TREE, SIDE	1
3	42-0004	B	FLAME (S-M-L)	3
4	42-0005	A	AL. HINGE, 1 1/2 X 1 1/2	3
5	42-0006	A	ANGLE, GUIDE	4



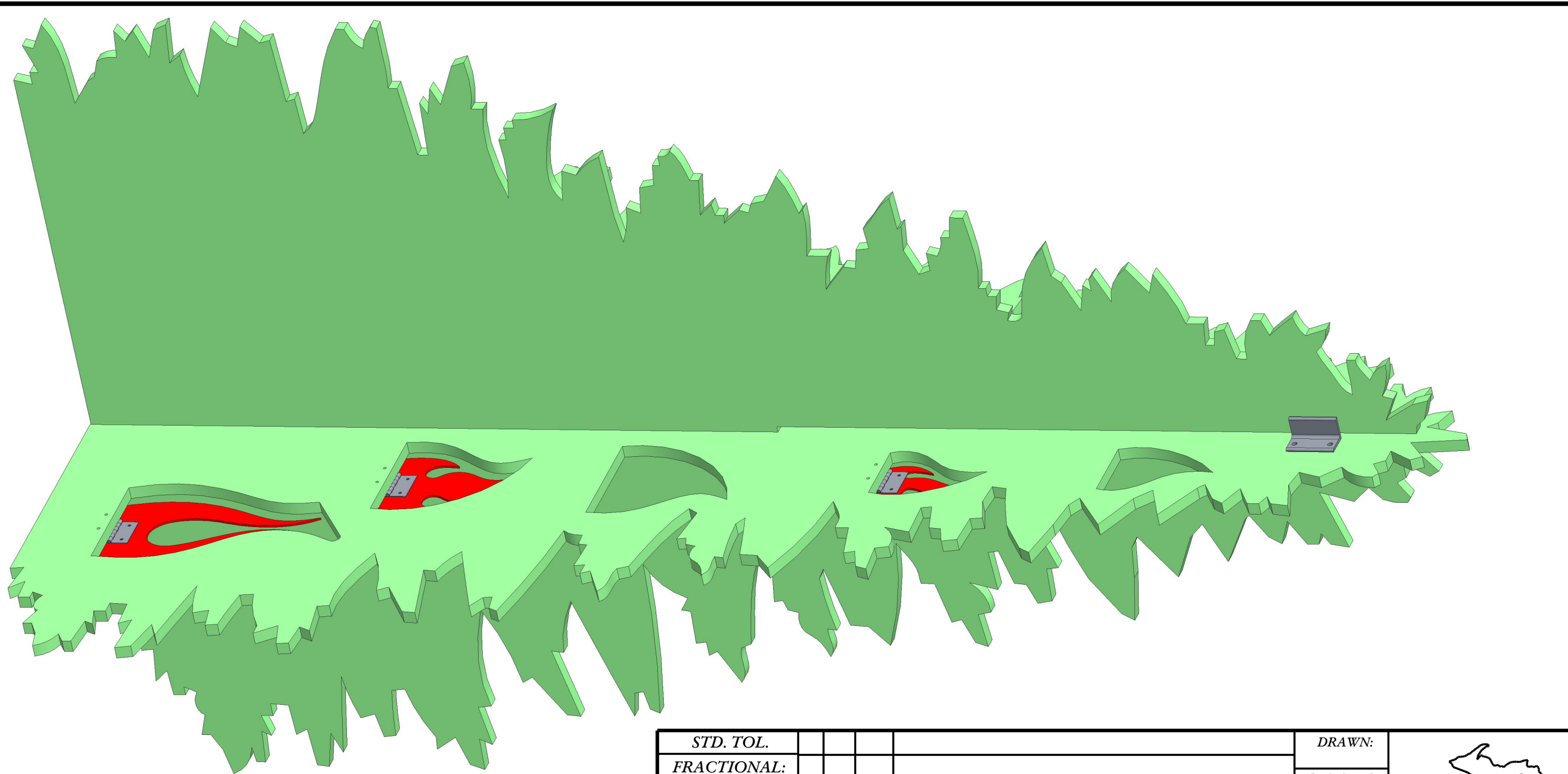
SCALE 7/32

<b>STD. TOL.</b>						<b>DRAWN:</b> DCM	
<b>FRACTIONAL:</b> 0 TO 6 IN + - 1/32 6 IN AND UP + - 1/16						<b>DESIGNED:</b>	
<b>ANGULAR:</b> + - 1 DEG.						<b>APPROVED:</b> DCM	
<b>DECIMAL:</b> 1 PLACE + - 0.05 2 PLACE + - 0.01 3 PLACE + - 0.005						<b>DATE:</b> 22-Oct-2015	
<b>PROJECT NO.:</b>						<b>SCALE:</b>	
<b>TITLE: FIRE TREE ISOMETRIC</b>							<b>DWG. NO.</b>
							<b>SIZE:</b> B



<b>STD. TOL.</b>						<b>DRAWN:</b>	 <b>DNR</b> FOREST, MINERAL AND FIRE MANAGEMENT
<b>FRACTIONAL:</b> 0 TO 6 IN + - 1/32 6 IN AND UP + - 1/16						<b>DESIGNED:</b>	
<b>ANGULAR:</b> + - 1 DEG.						<b>APPROVED:</b>	
<b>DECIMAL:</b> 1 PLACE + - 0.05 2 PLACE + - 0.01 3 PLACE + - 0.005						<b>DATE:</b> 22-Oct-2015	
	<b>NO.</b>	<b>BY</b>	<b>DATE</b>	<b>REVISION</b>		<b>SCALE:</b>	
<b>PROJECT NO.:</b>	<b>TITLE: FIRE TREE ISOMETRIC</b>						<b>DWG. NO.</b>
							<b>SIZE:</b> <b>B</b>

SCALE 1/4



SCALE 1/4

<b>STD. TOL.</b>						<b>DRAWN:</b>		
<b>FRACTIONAL:</b> 0 TO 6 IN + - 1/32 6 IN AND UP + - 1/16						<b>DESIGNED:</b>		
<b>ANGULAR:</b> + - 1 DEG.						<b>APPROVED:</b>		
<b>DECIMAL:</b> 1 PLACE + - 0.05 2 PLACE + - 0.01 3 PLACE + - 0.005						<b>DATE:</b> 22-Oct-2015		
<b>PROJECT NO.:</b>	<b>TITLE:</b> FIRE TREE ISOMETRIC					<b>SCALE:</b>	<b>DWG. NO.</b>	<b>SIZE:</b> B
						<b>NO.</b> <b>BY</b> <b>DATE</b> <b>REVISION</b>		
<b>FOREST FIRE EXPERIMENT STATION</b> P.O. BOX 68 ROSCOMMON, MICHIGAN 48653								

## **Further Information**

**For further information regarding this or any other REC product , please contact the REC Program Administrator at:**

Roscommon Equipment Center c/o Forest Fire Experiment Station  
1337 East Robinson Lake Road  
P.O. Box 68 Roscommon, Michigan 48653  
Telephone: (989) 275-5211 Fax: (989) 275-8249  
Email: [info@RoscommonEquipmentCenter.org](mailto:info@RoscommonEquipmentCenter.org) Web Site:  
[www.RoscommonEquipmentCenter.org](http://www.RoscommonEquipmentCenter.org)